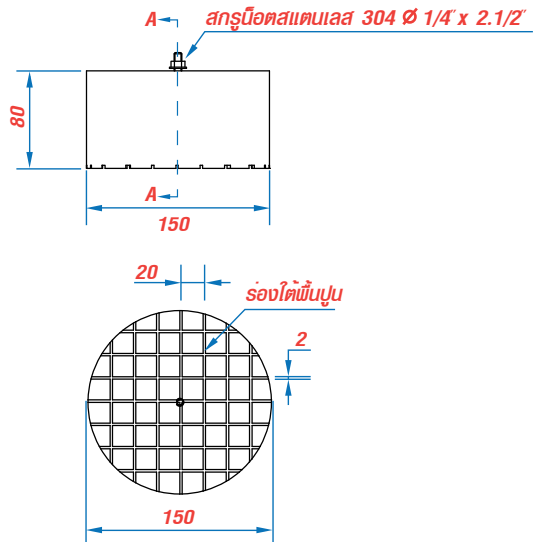


# Base Clamp 15 x 8 cm

อุปกรณ์ยึดแผงโซลาร์เซลล์สำหรับพื้นปูนบนตาดฟ้า



## รายละเอียดอุปกรณ์ติดตั้งแผงโซลาร์เซลล์

รหัสสินค้า	C19
ชื่อสินค้า	Base Clamp 15 x 8 cm
วัสดุ	คอนกรีต
ค่าความแข็งของคอนกรีต	180-240 KSC
แรงดึง	963.42 แรงกิโลกรัม
น้ำหนัก	3.292 กิโลกรัม/ชิ้น
ขนาดบรรจุภัณฑ์	5 ชิ้น/กล่อง ขนาดกล่อง 36x50x12 เซนติเมตร

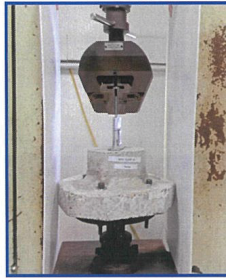


## TEST REPORT

Received No.: 68-11-020  
Report No.: TGI-TS-013  
Rev.: 00

Customer's company name: **PSI Corporation Co., Ltd.**  
Address: **2 Soi Ramkhamhaeng 159, Rat Phatthana , Saphansung , Bangkok 10240 Thailand.**

Test Product:	-	Material Characterization:	-
Part Name:	BASE CLAMP	Standard of Test:	As Customer Request
Part No.:	01,02,03	Type of Test:	Tensile Testing
Lot No.:	-	Equipment / Serial No.:	Universal Testing Machine
Material Specification	-	Equipment's Capacity:	10 Tons
Received Date:	05 / Nov. / 2025	Ambient Temp.:	21.6 °C, 59 % RH
Tested Date:	06 / Nov. / 2025		



### Result of Tensile test

Test No.	Max. Load (N)	Max. Load (kgf)
01	9,451.196	963.424
02	9,687.952	987.558
03	8,310.787	847.175

Operated by: Chainarong  
Testing Operator  
Technical Team  
(06 / Nov. / 2025)

Reviewed by: Mr.Kriangkrai Kaewko  
Mr.Kriangkrai Kaewko  
Technical Manager  
(06 / Nov. / 2025)

Approved by: Mr.Weerasak Thaotho  
Mr.Weerasak Thaotho  
Quality Manager  
(06 / Nov. / 2025)

#### Commentary:

- Our division and institute not allow to change, add or subtract anywhere on this report, except only in case of already accepted by writing from our division.
- Our division can not confess to any direct or indirect damage that will occur after this by using data, analysis results, results or conclusion in this report to design, produce or others.
- Experiment results are exactly true especially only on specimen that was carried to test.
- "Test marked \* in this report are not included in the TISI Accreditation Schedule for our Laboratory"